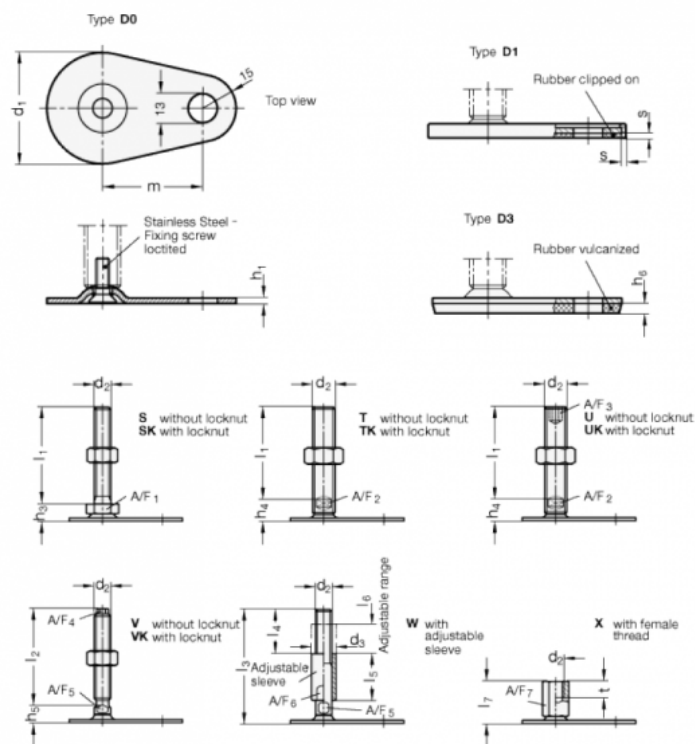


Article number: 204380M2045D3X
 Description: E+G levelling foot
 GN 43-80-M20-45-D3-X
 Note: X With female thread, External hexagon

Measures



A/F7 = 27	t = 20
d1 = 80	
d2 = M20	
h1 = 2.5	
h6 = 5	
l7 = 45	
m = 70	
s =	